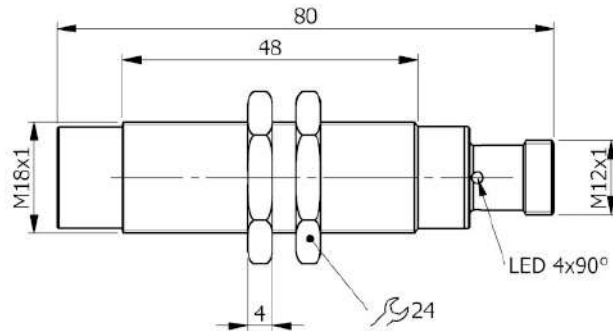


Part number: **I18000071** Model: **SI18-CE8 NPN NC H**



Dimension in mm

1. TECHNICAL CHARACTERISTICS



Electrical data

Power supply type:		Direct current
Working voltage:	[V]	10 ÷ 30
Current consumption:	[mA]	< 15 mA @ 24Vdc
Protection class:		III
Reverse polarity protection:		Presente

Outputs

Electrical design:		NPN
Function:		NC
Max voltage drop:	[V]	< 1.8
Max output current:	[mA]	200
Max switching frequency:	[Hz]	1000
Short circuit protection:		Present
Overload protection:		Present

Detection zone

Switching distance-Sn:	[mm]	8
Real sensing distance-Sr:	[mm]	8 ±10%
Operative distance-So:	[mm]	0 ÷ 6.48

Accuracy and Deviations

Correction factor:		Stainless steel: 0.9 - Brass: 0.5 - Aluminium: 0.4 - Copper: 0.4
Hysteresis:	[%Sr]	< 10
Switching point drift:	[%Sr]	-10 ÷ +10
Repeatability:	[%Sn]	< 3

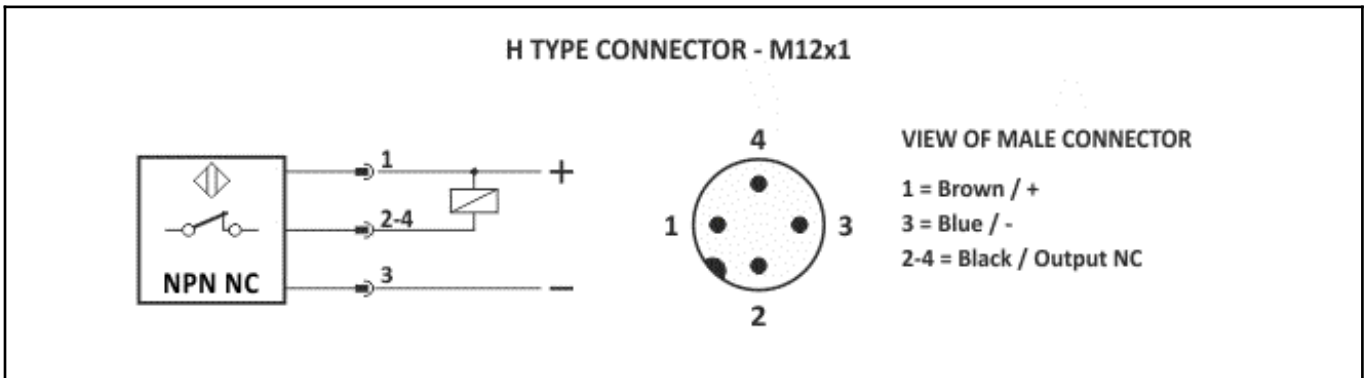
Environmental conditions

Temperature limits:	[°C]	-25 ÷ +85
IP rating:		IP65-IP66-IP67 (depending on connector)

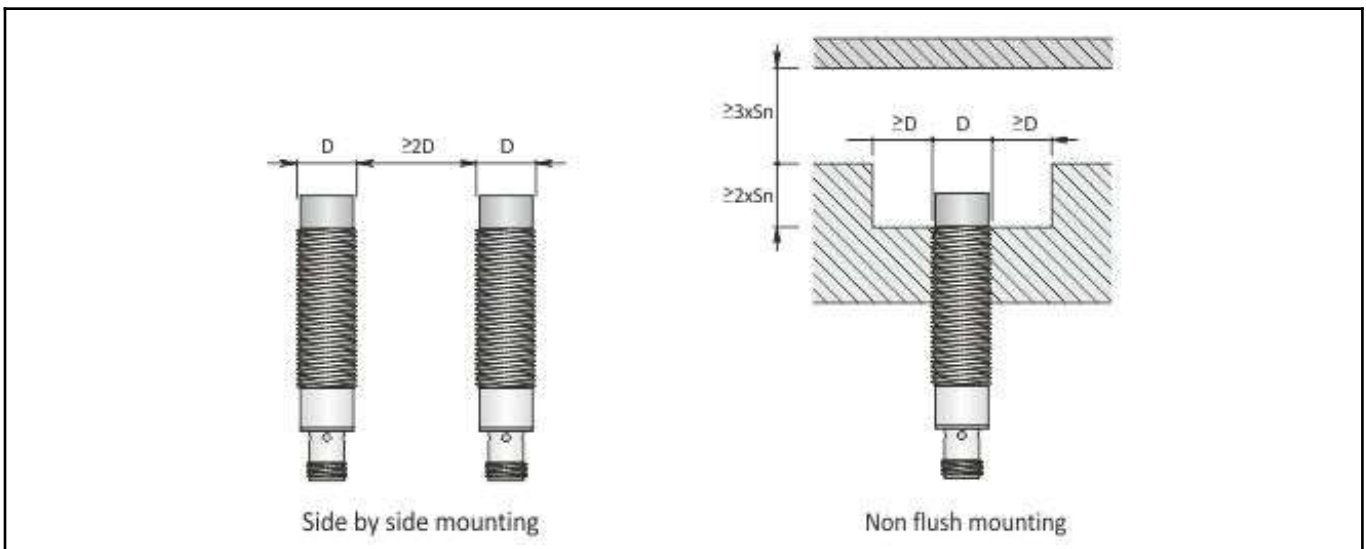
Display and control elements	
Display:	Output switching status - 4 x 90° LED: Yellow
Mechanical data	
Housing:	Threded type
Thread designation:	M18x1
Dimensions: [mm]	M18x1 - L=80.5
Materials:	Housing: Nickel-plated brass - Sensing area: POM red - Lock nuts: Nickel-plated brass
Mounting:	Not embeddable
Weighth: [g]	70
Electrical connection	
Connector:	H type - M12X1 - Gold plated contacts
Compliance to Standards / Directives	
Directives compliance:	2014/30/EU -Electromagnetic compatibility directive (EMC)
Standards compliance:	EN60947-5-2 - Product standard

2. NORME DI INSTALLAZIONE

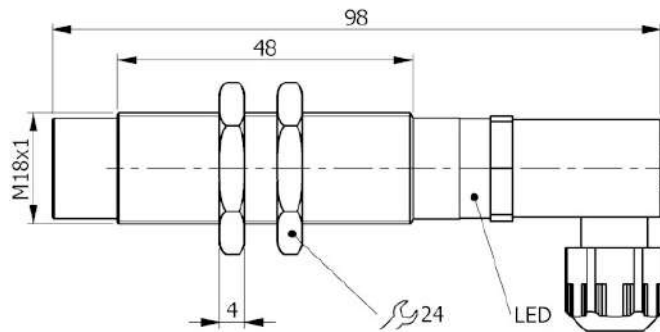
WIRING DIAGRAM



INSTRUCTIONS FOR CORRECT INSTALLATION



Part number: **I18000073** Model: **SI18-CE8 NPN NC K**



Dimension in mm

1. TECHNICAL CHARACTERISTICS



Electrical data

Power supply type:		Direct current
Working voltage:	[V]	10 ÷ 30
Current consumption:	[mA]	< 15 mA @ 24Vdc
Protection class:		III
Reverse polarity protection:		Presente

Outputs

Electrical design:		NPN
Function:		NC
Max voltage drop:	[V]	< 1.8
Max output current:	[mA]	200
Max switching frequency:	[Hz]	1000
Short circuit protection:		Present
Overload protection:		Present

Detection zone

Switching distance-Sn:	[mm]	8
Real sensing distance-Sr:	[mm]	8 ±10%
Operative distance-So:	[mm]	0 ÷ 6.48

Accuracy and Deviations

Correction factor:		Stainless steel: 0.9 - Brass: 0.5 - Aluminium: 0.4 - Copper: 0.4
Hysteresis:	[%Sr]	< 10
Switching point drift:	[%Sr]	-10 ÷ +10
Repeatability:	[%Sn]	< 3

Environmental conditions

Temperature limits:	[°C]	-25 ÷ +70
IP rating:		IP65

Display and control elements

Display:	Output switching status - 1 x LED: Yellow
----------	---

Mechanical data

Housing:	Threded type
Thread designation:	M18x1
Dimensions: [mm]	M18x1 - L=70.5
Materials:	Housing: Nickel-plated brass - Sensing area: POM red - Lock nuts: Nickel-plated brass
Mounting:	Not embeddable
Weighth: [g]	80

Electrical connection

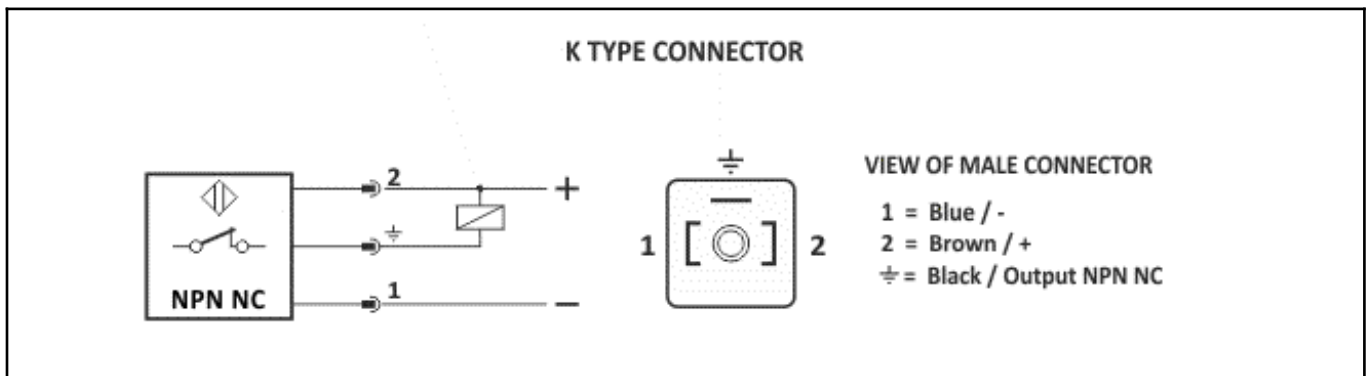
Connector:	K Type - 3 poles - EN 17301-803
------------	---------------------------------

Compliance to Standards / Directives

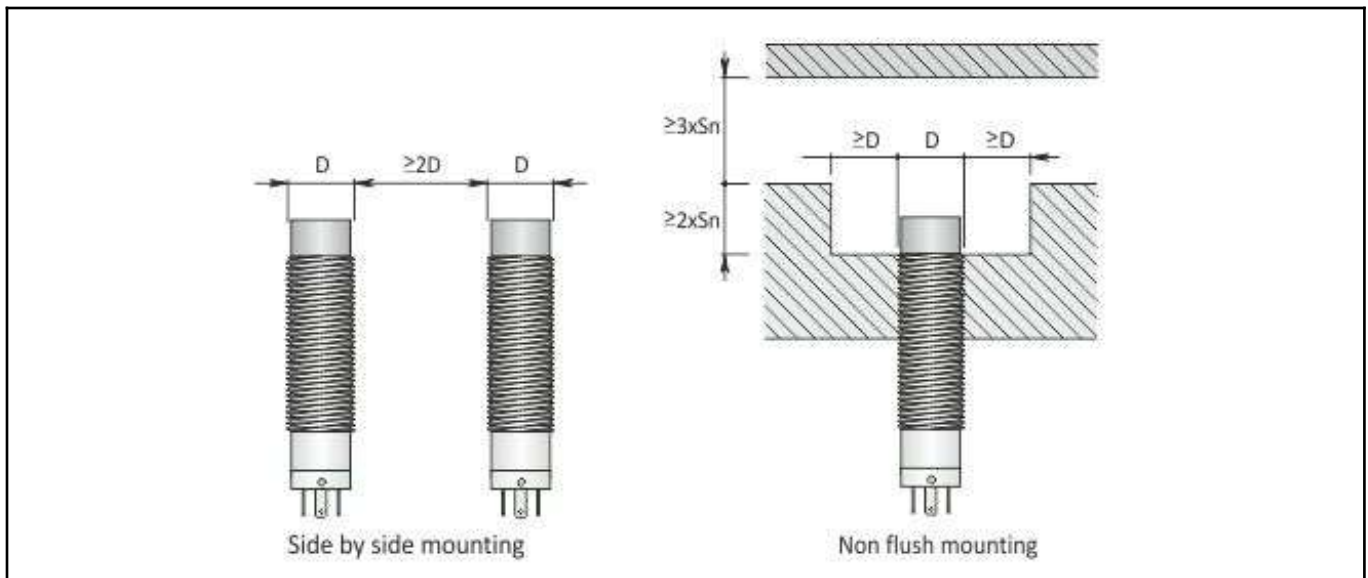
Directives compliance:	2014/30/EU -Electromagnetic compatibility directive (EMC)
Standards compliance:	EN60947-5-2 - Product standard

2. NORME DI INSTALLAZIONE

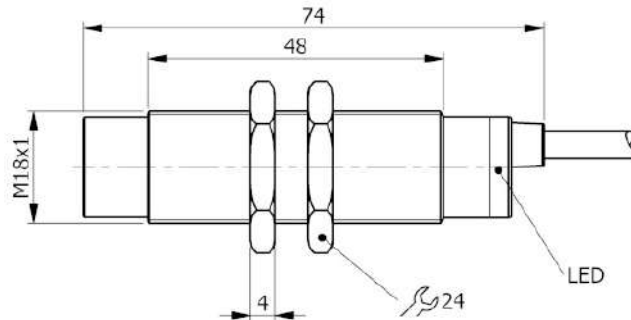
WIRING DIAGRAM



INSTRUCTIONS FOR CORRECT INSTALLATION



Part number: **I18000223** Model: **SI18-CE8 NPN NC LC10**



Dimension in mm

1. TECHNICAL CHARACTERISTICS



Electrical data

Power supply type:		Direct current
Working voltage:	[V]	10 ÷ 30
Current consumption:	[mA]	< 15 mA @ 24Vdc
Protection class:		III
Reverse polarity protection:		Presente

Outputs

Electrical design:		NPN
Function:		NC
Max voltage drop:	[V]	< 1.8
Max output current:	[mA]	200
Max switching frequency:	[Hz]	1000
Short circuit protection:		Present
Overload protection:		Present

Detection zone

Switching distance-Sn:	[mm]	8
Real sensing distance-Sr:	[mm]	8 ±10%
Operative distance-So:	[mm]	0 ÷ 6.48

Accuracy and Deviations

Correction factor:		Stainless steel: 0.9 - Brass: 0.5 - Aluminium: 0.4 - Copper: 0.4
Hysteresis:	[%Sr]	< 10
Switching point drift:	[%Sr]	-10 ÷ +10
Repeatability:	[%Sn]	< 3

Environmental conditions

Temperature limits:	[°C]	-25 ÷ +85
IP rating:		IP65-IP66-IP67

Display and control elements

Display: Output switching status - 1 x LED: Yellow

Mechanical data

Housing:	Threded type
Thread designation:	M18x1
Dimensions: [mm]	M18x1 - L=74.5
Materials:	Housing: Nickel-plated brass - Sensing area: POM red - Lock nuts: Nickel-plated brass
Mounting:	Not embeddable
Weighth: [g]	370

Electrical connection

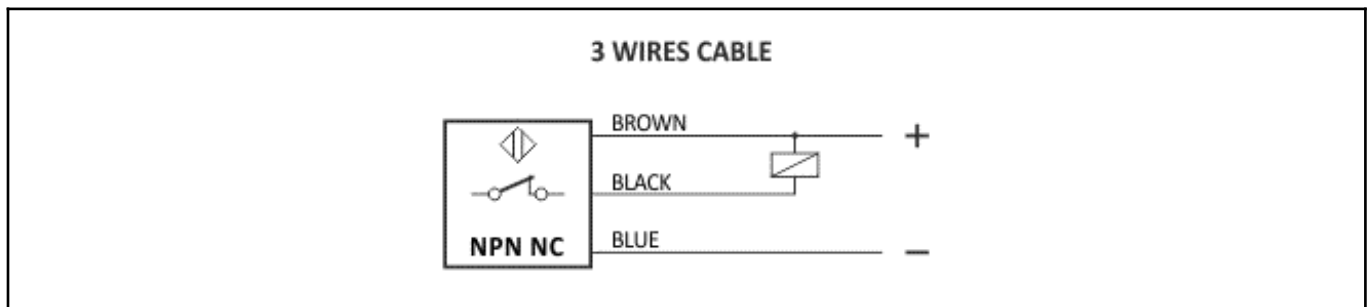
Cable: 10 m - PVC/PVC - 3 x 0.35 mm²

Compliance to Standards / Directives

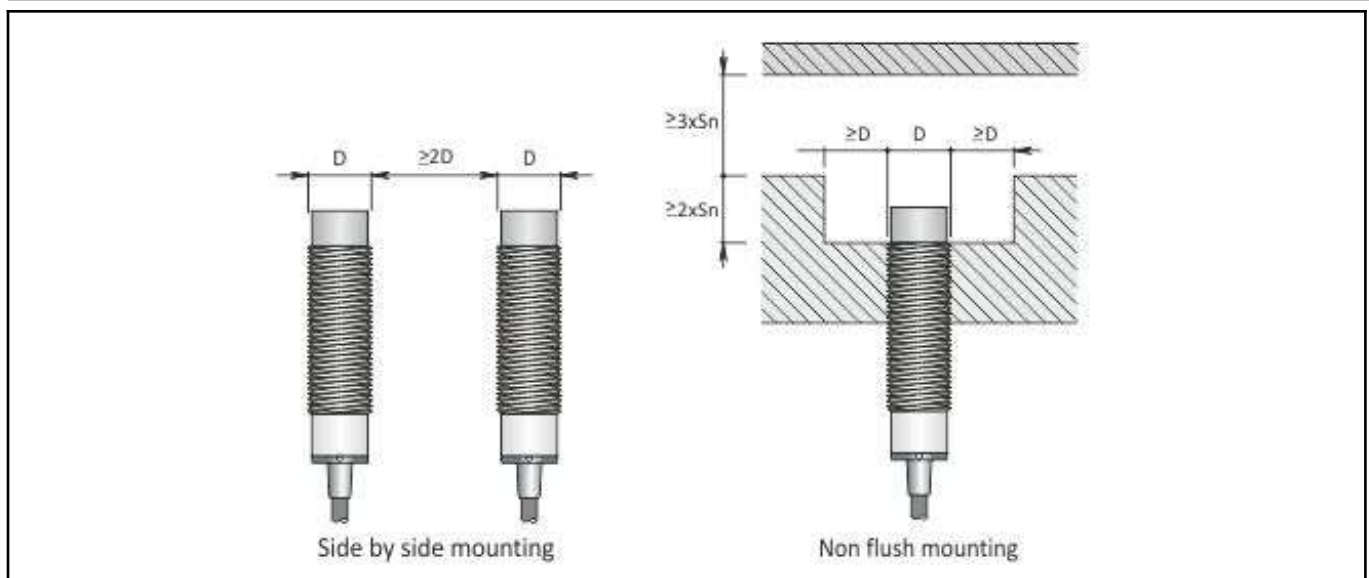
Directives compliance:	2014/30/EU -Electromagnetic compatibility directive (EMC)
Standards compliance:	EN60947-5-2 - Product standard

2. NORME DI INSTALLAZIONE

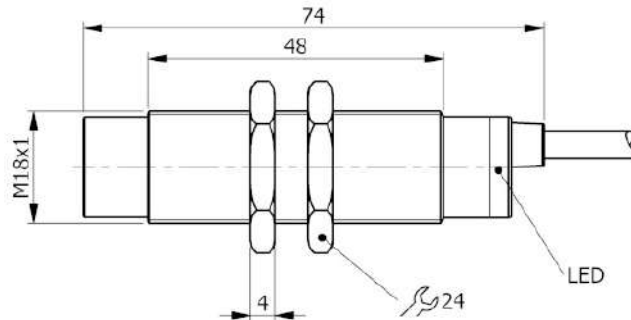
WIRING DIAGRAM



INSTRUCTIONS FOR CORRECT INSTALLATION



Part number: **I18000221** Model: **SI18-CE8 NPN NC LC5**



Dimension in mm

1. TECHNICAL CHARACTERISTICS



Electrical data

Power supply type:		Direct current
Working voltage:	[V]	10 ÷ 30
Current consumption:	[mA]	< 15 mA @ 24Vdc
Protection class:		III
Reverse polarity protection:		Presente

Outputs

Electrical design:		NPN
Function:		NC
Max voltage drop:	[V]	< 1.8
Max output current:	[mA]	200
Max switching frequency:	[Hz]	1000
Short circuit protection:		Present
Overload protection:		Present

Detection zone

Switching distance-Sn:	[mm]	8
Real sensing distance-Sr:	[mm]	8 ±10%
Operative distance-So:	[mm]	0 ÷ 6.48

Accuracy and Deviations

Correction factor:		Stainless steel: 0.9 - Brass: 0.5 - Aluminium: 0.4 - Copper: 0.4
Hysteresis:	[%Sr]	< 10
Switching point drift:	[%Sr]	-10 ÷ +10
Repeatability:	[%Sn]	< 3

Environmental conditions

Temperature limits:	[°C]	-25 ÷ +85
IP rating:		IP65-IP66-IP67

Display and control elements

Display: Output switching status - 1 x LED: Yellow

Mechanical data

Housing:	Threded type
Thread designation:	M18x1
Dimensions: [mm]	M18x1 - L=74.5
Materials:	Housing: Nickel-plated brass - Sensing area: POM red - Lock nuts: Nickel-plated brass
Mounting:	Not embeddable
Weighth: [g]	220

Electrical connection

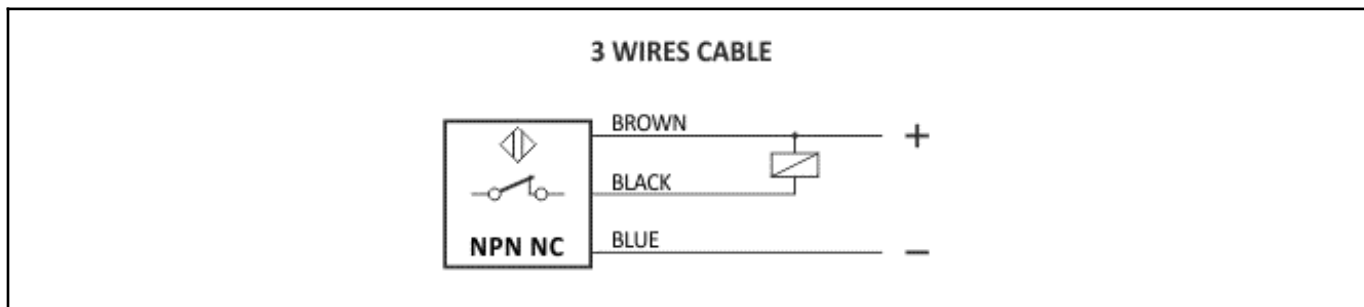
Cable: 5 m - PVC/PVC - 3 x 0.35 mm²

Compliance to Standards / Directives

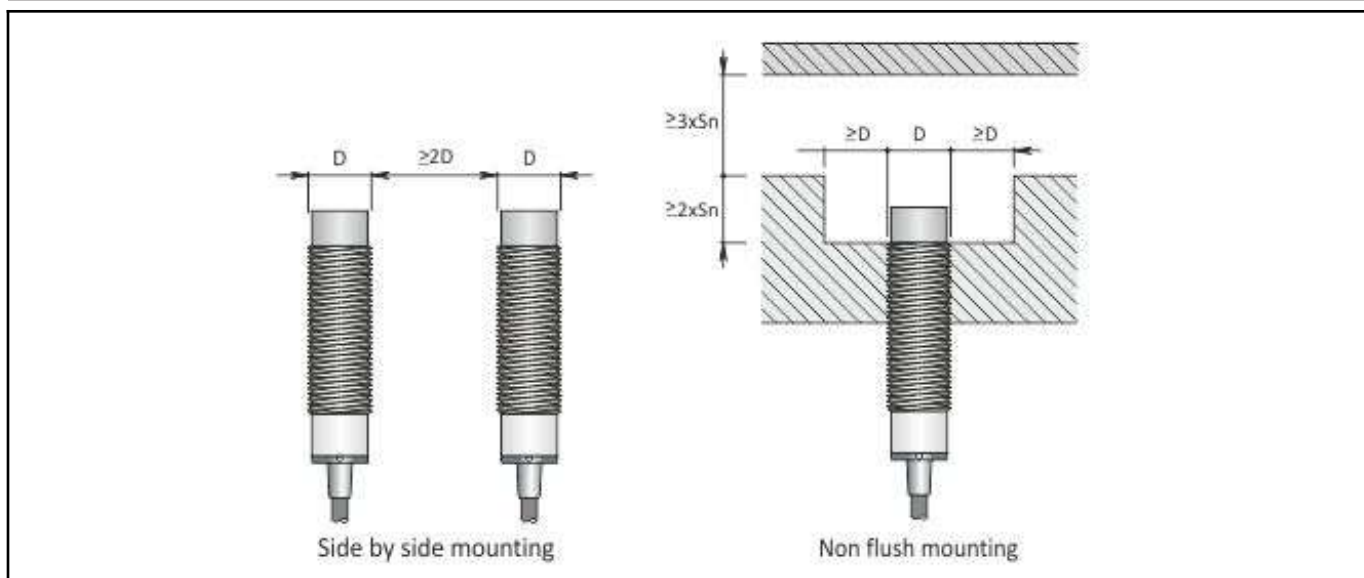
Directives compliance:	2014/30/EU -Electromagnetic compatibility directive (EMC)
Standards compliance:	EN60947-5-2 - Product standard

2. NORME DI INSTALLAZIONE

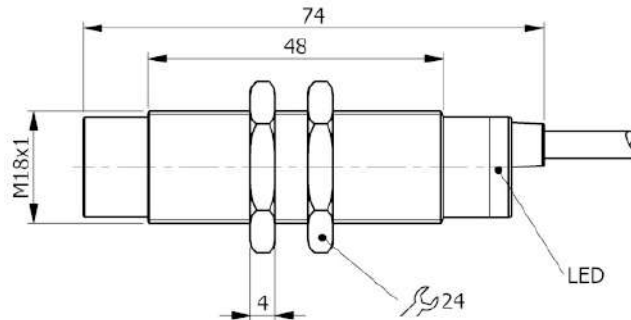
WIRING DIAGRAM



INSTRUCTIONS FOR CORRECT INSTALLATION



Part number: **I18000077** Model: **SI18-CE8 NPN NO**



Dimension in mm

1. TECHNICAL CHARACTERISTICS



Electrical data

Power supply type:		Direct current
Working voltage:	[V]	10 ÷ 30
Current consumption:	[mA]	< 15 mA @ 24Vdc
Protection class:		III
Reverse polarity protection:		Presente

Outputs

Electrical design:		NPN
Function:		NO
Max voltage drop:	[V]	< 1.8
Max output current:	[mA]	200
Max switching frequency:	[Hz]	1000
Short circuit protection:		Present
Overload protection:		Present

Detection zone

Switching distance-Sn:	[mm]	8
Real sensing distance-Sr:	[mm]	8 ±10%
Operative distance-So:	[mm]	0 ÷ 6.48

Accuracy and Deviations

Correction factor:		Stainless steel: 0.9 - Brass: 0.5 - Aluminium: 0.4 - Copper: 0.4
Hysteresis:	[%Sr]	< 10
Switching point drift:	[%Sr]	-10 ÷ +10
Repeatability:	[%Sn]	< 3

Environmental conditions

Temperature limits:	[°C]	-25 ÷ +85
IP rating:		IP65-IP66-IP67

Display and control elements

Display: Output switching status - 1 x LED: Yellow

Mechanical data

Housing:	Threded type
Thread designation:	M18x1
Dimensions: [mm]	M18x1 - L=74.5
Materials:	Housing: Nickel-plated brass - Sensing area: POM red - Lock nuts: Nickel-plated brass
Mounting:	Not embeddable
Weighth: [g]	130

Electrical connection

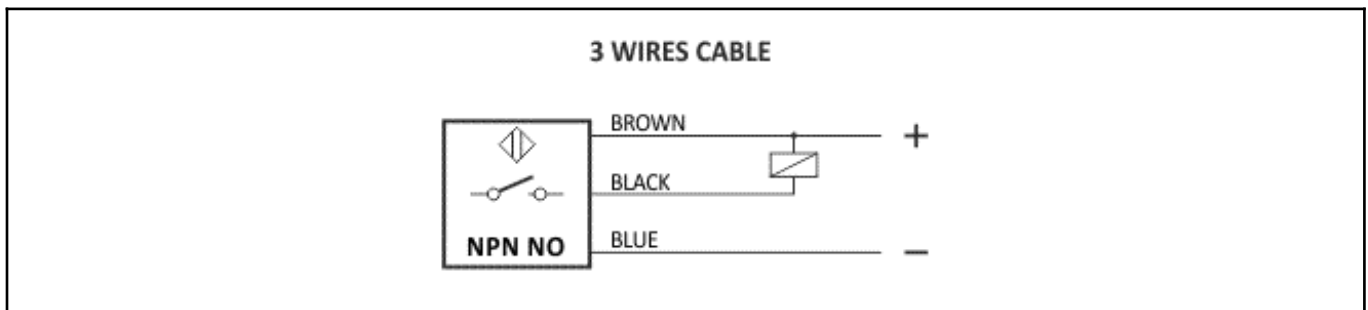
Cable: 2 m - PVC/PVC - 3 x 0.35 mm²

Compliance to Standards / Directives

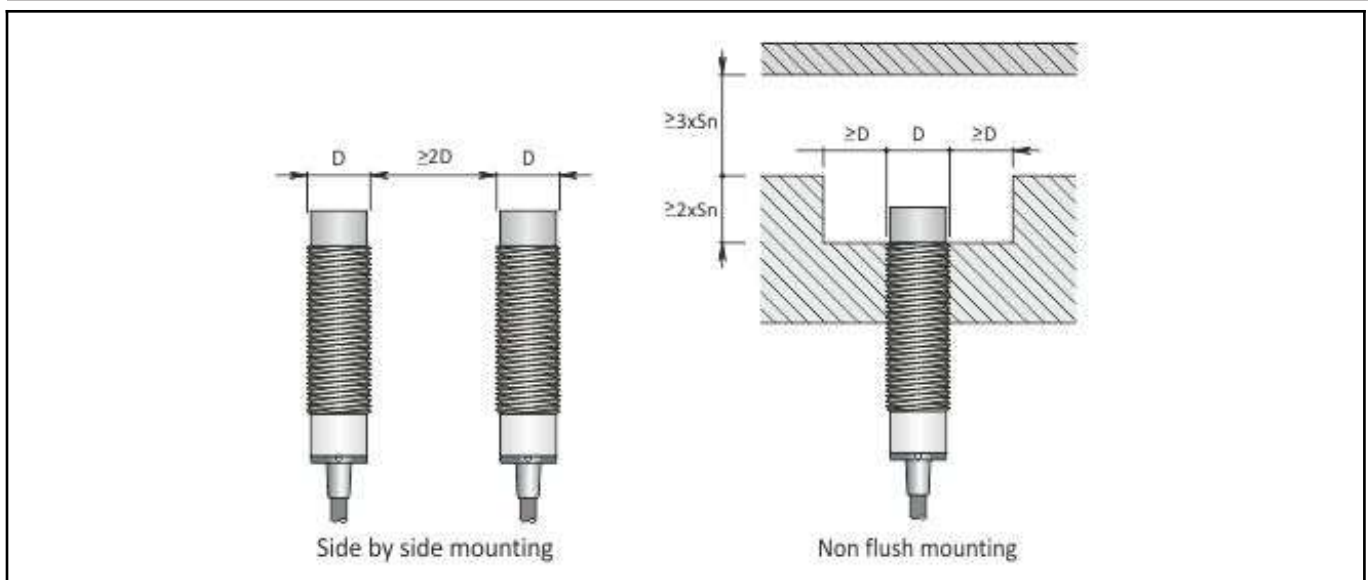
Directives compliance:	2014/30/EU -Electromagnetic compatibility directive (EMC)
Standards compliance:	EN60947-5-2 - Product standard

2. NORME DI INSTALLAZIONE

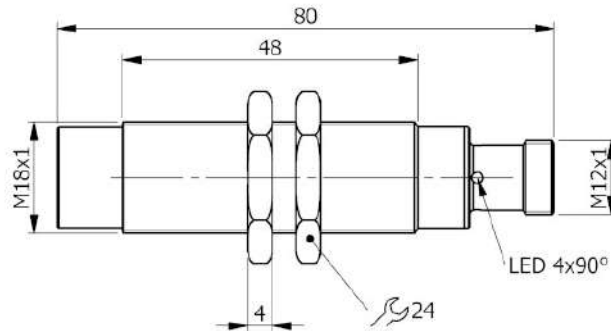
WIRING DIAGRAM



INSTRUCTIONS FOR CORRECT INSTALLATION



Part number: **I18000078** Model: **SI18-CE8 NPN NO H**



Dimension in mm

1. TECHNICAL CHARACTERISTICS



Electrical data

Power supply type:		Direct current
Working voltage:	[V]	10 ÷ 30
Current consumption:	[mA]	< 15 mA @ 24Vdc
Protection class:		III
Reverse polarity protection:		Presente

Outputs

Electrical design:		NPN
Function:		NO
Max voltage drop:	[V]	< 1.8
Max output current:	[mA]	200
Max switching frequency:	[Hz]	1000
Short circuit protection:		Present
Overload protection:		Present

Detection zone

Switching distance-Sn:	[mm]	8
Real sensing distance-Sr:	[mm]	8 ±10%
Operative distance-So:	[mm]	0 ÷ 6.48

Accuracy and Deviations

Correction factor:		Stainless steel: 0.9 - Brass: 0.5 - Aluminium: 0.4 - Copper: 0.4
Hysteresis:	[%Sr]	< 10
Switching point drift:	[%Sr]	-10 ÷ +10
Repeatability:	[%Sn]	< 3

Environmental conditions

Temperature limits:	[°C]	-25 ÷ +85
IP rating:		IP65-IP66-IP67 (depending on connector)

Display and control elements

Display: Output switching status - 4 x 90° LED: Yellow

Mechanical data

Housing:	Threded type
Thread designation:	M18x1
Dimensions: [mm]	M18x1 - L=80.5
Materials:	Housing: Nickel-plated brass - Sensing area: POM red - Lock nuts: Nickel-plated brass
Mounting:	Not embeddable
Weighth: [g]	80

Electrical connection

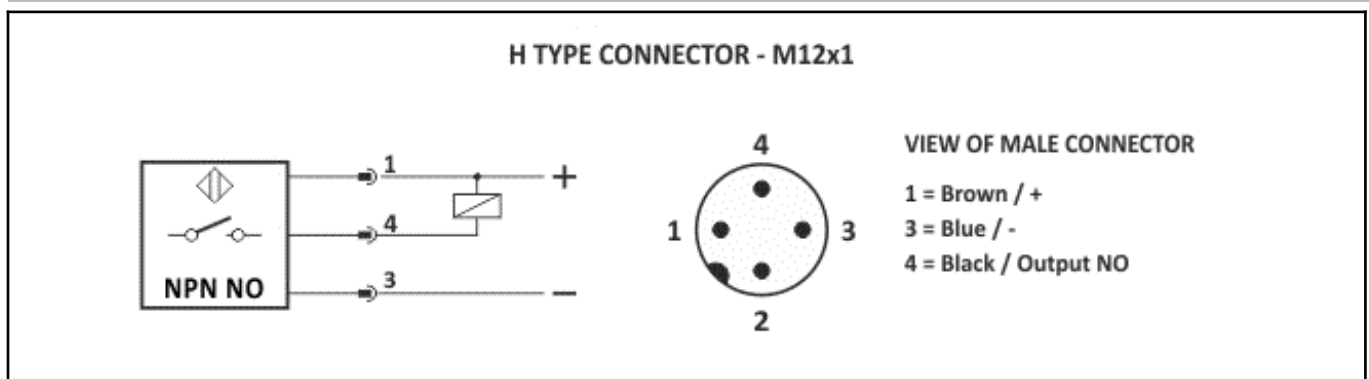
Connector: H type - M12X1 - Gold plated contacts

Compliance to Standards / Directives

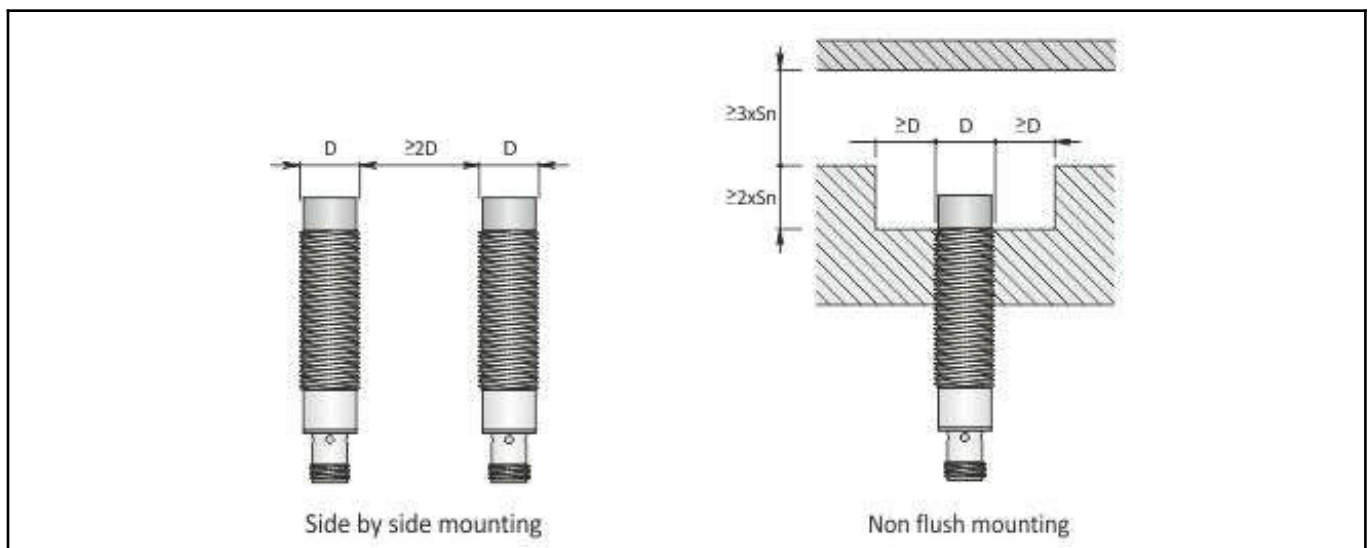
Directives compliance:	2014/30/EU -Electromagnetic compatibility directive (EMC)
Standards compliance:	EN60947-5-2 - Product standard

2. NORME DI INSTALLAZIONE

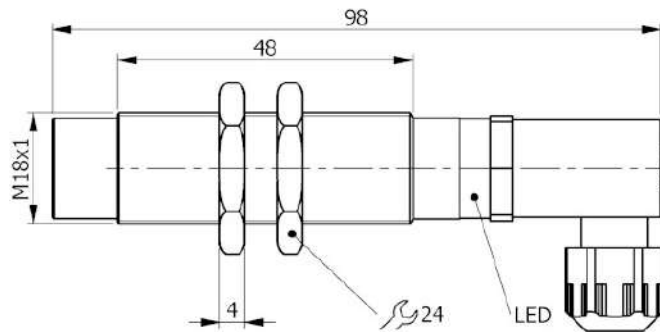
WIRING DIAGRAM



INSTRUCTIONS FOR CORRECT INSTALLATION



Part number: **I18000080** Model: **SI18-CE8 NPN NO K**



Dimension in mm

1. TECHNICAL CHARACTERISTICS



Electrical data

Power supply type:		Direct current
Working voltage:	[V]	10 ÷ 30
Current consumption:	[mA]	< 15 mA @ 24Vdc
Protection class:		III
Reverse polarity protection:		Presente

Outputs

Electrical design:		NPN
Function:		NO
Max voltage drop:	[V]	< 1.8
Max output current:	[mA]	200
Max switching frequency:	[Hz]	1000
Short circuit protection:		Present
Overload protection:		Present

Detection zone

Switching distance-Sn:	[mm]	8
Real sensing distance-Sr:	[mm]	8 ±10%
Operative distance-So:	[mm]	0 ÷ 6.48

Accuracy and Deviations

Correction factor:		Stainless steel: 0.9 - Brass: 0.5 - Aluminium: 0.4 - Copper: 0.4
Hysteresis:	[%Sr]	< 10
Switching point drift:	[%Sr]	-10 ÷ +10
Repeatability:	[%Sn]	< 3

Environmental conditions

Temperature limits:	[°C]	-25 ÷ +70
IP rating:		IP65

Display and control elements

Display:	Output switching status - 1 x LED: Yellow
----------	---

Mechanical data

Housing:	Threded type
Thread designation:	M18x1
Dimensions: [mm]	M18x1 - L=70.5
Materials:	Housing: Nickel-plated brass - Sensing area: POM red - Lock nuts: Nickel-plated brass
Mounting:	Not embeddable
Weighth: [g]	80

Electrical connection

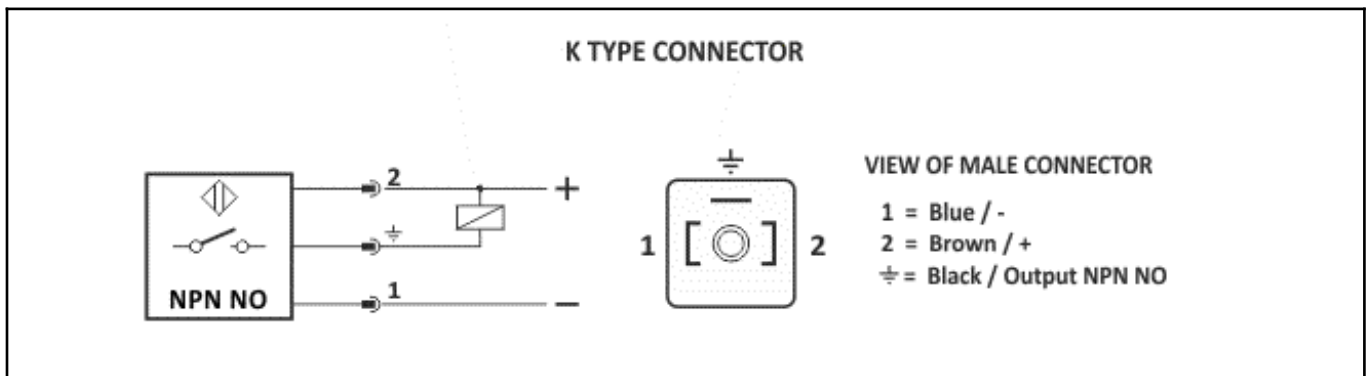
Connector:	K Type - 3 poles - EN 17301-803
------------	---------------------------------

Compliance to Standards / Directives

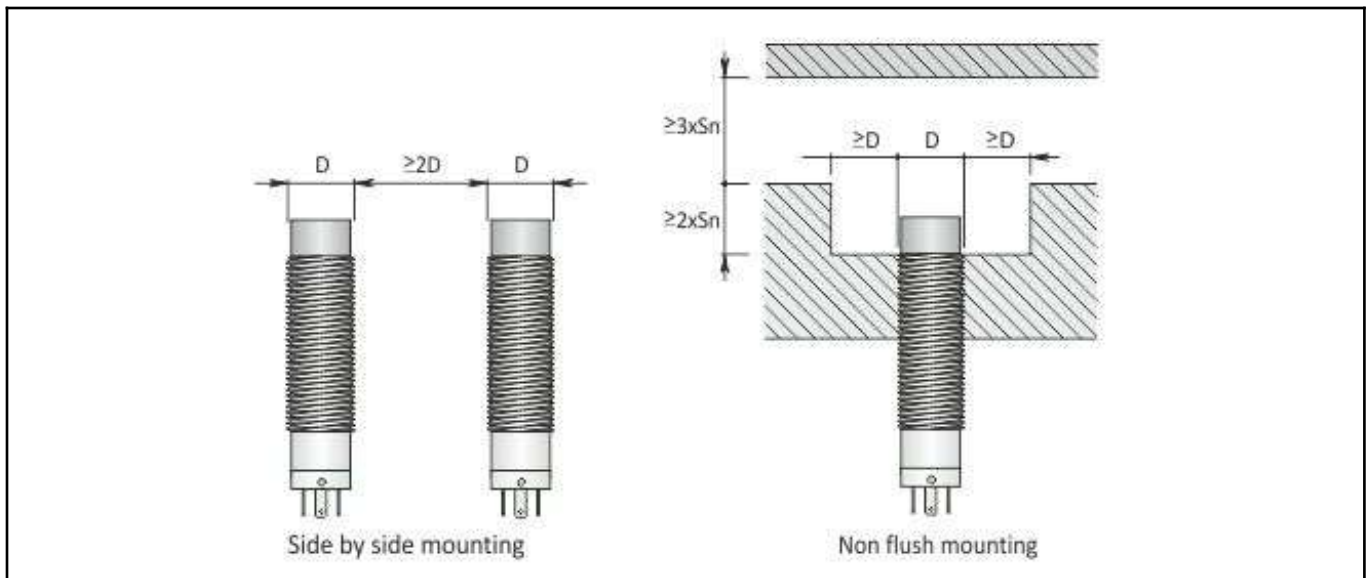
Directives compliance:	2014/30/EU -Electromagnetic compatibility directive (EMC)
Standards compliance:	EN60947-5-2 - Product standard

2. NORME DI INSTALLAZIONE

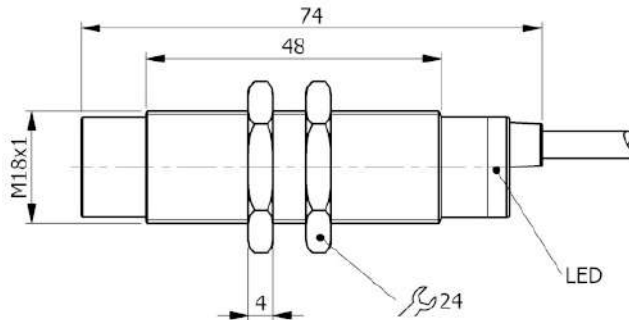
WIRING DIAGRAM



INSTRUCTIONS FOR CORRECT INSTALLATION



Part number: **I18000227** Model: **SI18-CE8 NPN NO LC10**



Dimension in mm

1. TECHNICAL CHARACTERISTICS



Electrical data

Power supply type:		Direct current
Working voltage:	[V]	10 ÷ 30
Current consumption:	[mA]	< 15 mA @ 24Vdc
Protection class:		III
Reverse polarity protection:		Presente

Outputs

Electrical design:		NPN
Function:		NO
Max voltage drop:	[V]	< 1.8
Max output current:	[mA]	200
Max switching frequency:	[Hz]	1000
Short circuit protection:		Present
Overload protection:		Present

Detection zone

Switching distance-Sn:	[mm]	8
Real sensing distance-Sr:	[mm]	8 ±10%
Operative distance-So:	[mm]	0 ÷ 6.48

Accuracy and Deviations

Correction factor:		Stainless steel: 0.9 - Brass: 0.5 - Aluminium: 0.4 - Copper: 0.4
Hysteresis:	[%Sr]	< 10
Switching point drift:	[%Sr]	-10 ÷ +10
Repeatability:	[%Sn]	< 3

Environmental conditions

Temperature limits:	[°C]	-25 ÷ +85
IP rating:		IP65-IP66-IP67

Display and control elements

Display:	Output switching status - 1 x LED: Yellow
----------	---

Mechanical data

Housing:	Threded type
Thread designation:	M18x1
Dimensions: [mm]	M18x1 - L=74.5
Materials:	Housing: Nickel-plated brass - Sensing area: POM red - Lock nuts: Nickel-plated brass
Mounting:	Not embeddable
Weighth: [g]	370

Electrical connection

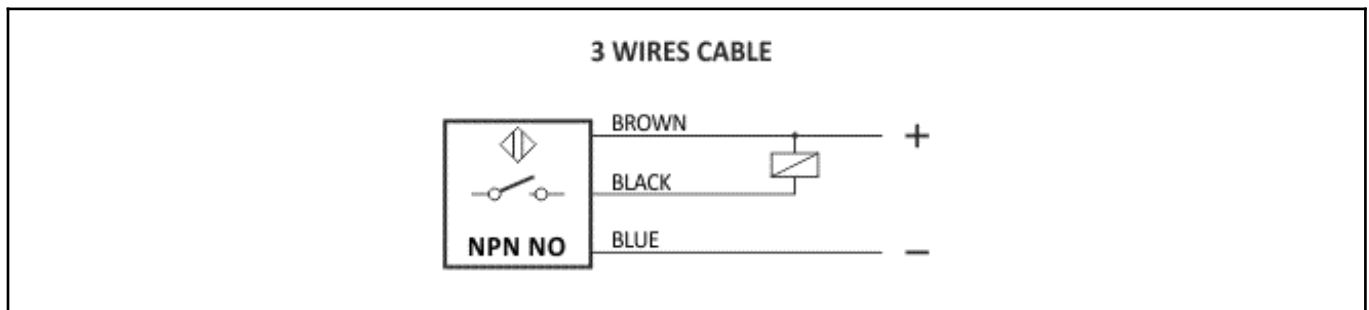
Cable:	10 m - PVC/PVC - 3 x 0.35 mm ²
--------	---

Compliance to Standards / Directives

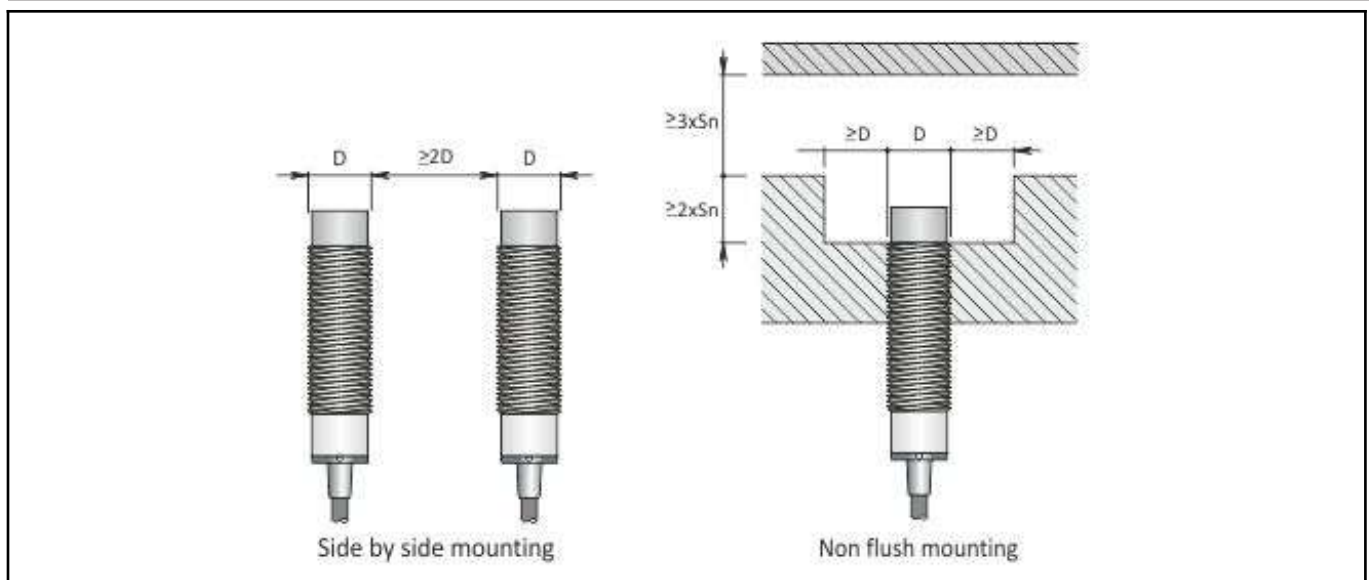
Directives compliance:	2014/30/EU -Electromagnetic compatibility directive (EMC)
Standards compliance:	EN60947-5-2 - Product standard

2. NORME DI INSTALLAZIONE

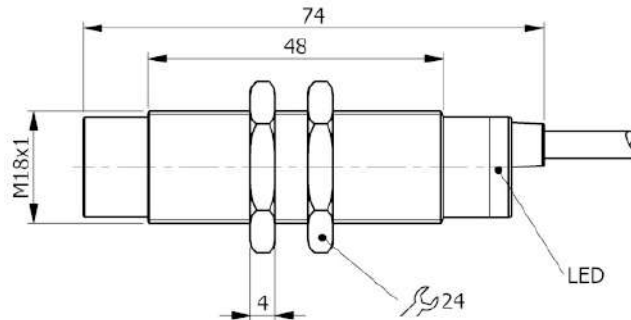
WIRING DIAGRAM



INSTRUCTIONS FOR CORRECT INSTALLATION



Part number: **I18000225** Model: **SI18-CE8 NPN NO LC5**



Dimension in mm

1. TECHNICAL CHARACTERISTICS



Electrical data

Power supply type:		Direct current
Working voltage:	[V]	10 ÷ 30
Current consumption:	[mA]	< 15 mA @ 24Vdc
Protection class:		III
Reverse polarity protection:		Presente

Outputs

Electrical design:		NPN
Function:		NO
Max voltage drop:	[V]	< 1.8
Max output current:	[mA]	200
Max switching frequency:	[Hz]	1000
Short circuit protection:		Present
Overload protection:		Present

Detection zone

Switching distance-Sn:	[mm]	8
Real sensing distance-Sr:	[mm]	8 ±10%
Operative distance-So:	[mm]	0 ÷ 6.48

Accuracy and Deviations

Correction factor:		Stainless steel: 0.9 - Brass: 0.5 - Aluminium: 0.4 - Copper: 0.4
Hysteresis:	[%Sr]	< 10
Switching point drift:	[%Sr]	-10 ÷ +10
Repeatability:	[%Sn]	< 3

Environmental conditions

Temperature limits:	[°C]	-25 ÷ +85
IP rating:		IP65-IP66-IP67

Display and control elements

Display: Output switching status - 1 x LED: Yellow

Mechanical data

Housing:	Threded type
Thread designation:	M18x1
Dimensions: [mm]	M18x1 - L=74.5
Materials:	Housing: Nickel-plated brass - Sensing area: POM red - Lock nuts: Nickel-plated brass
Mounting:	Not embeddable
Weighth: [g]	220

Electrical connection

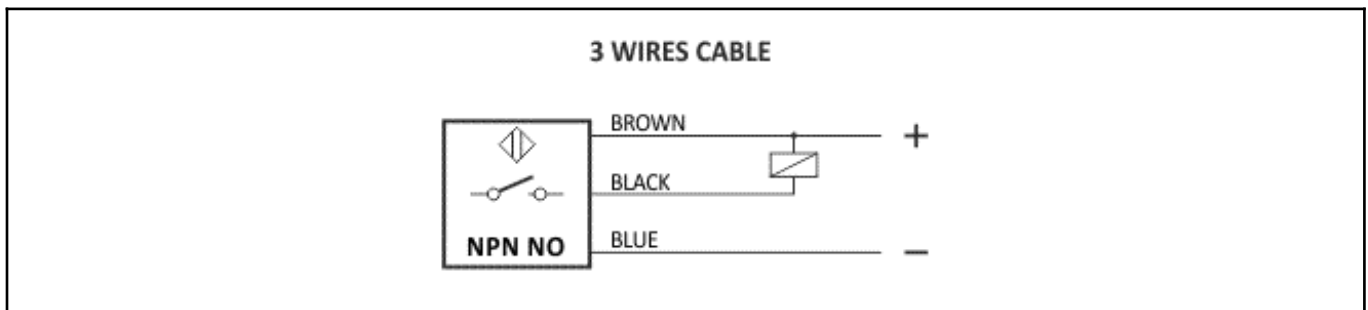
Cable: 5 m - PVC/PVC - 3 x 0.35 mm²

Compliance to Standards / Directives

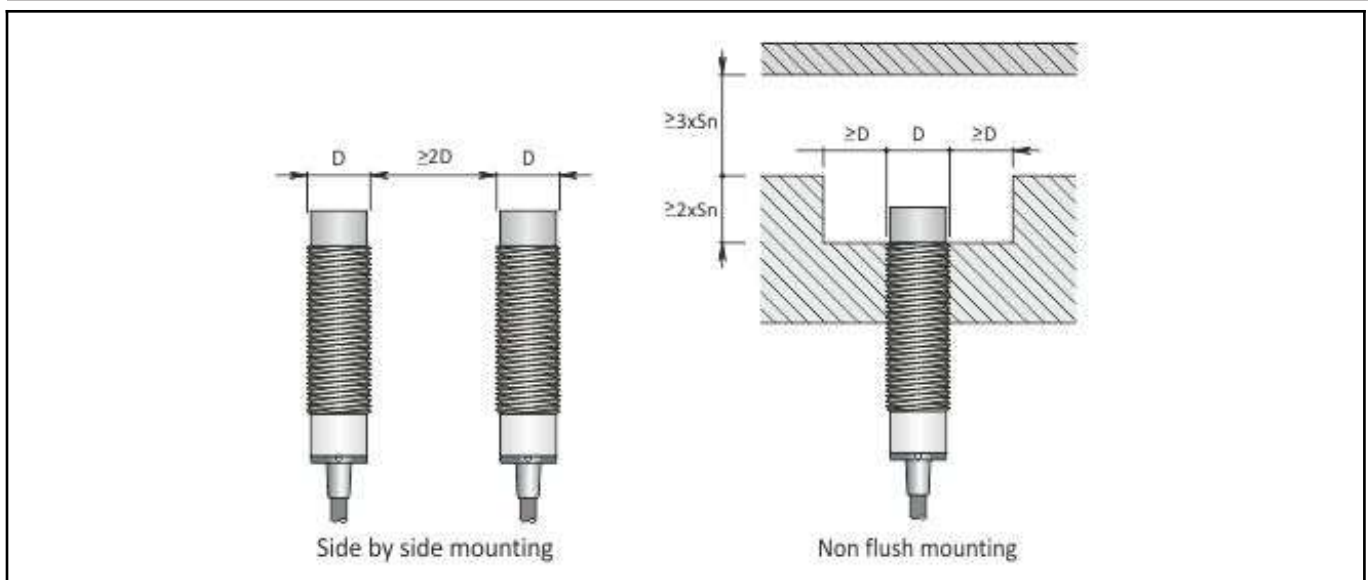
Directives compliance:	2014/30/EU -Electromagnetic compatibility directive (EMC)
Standards compliance:	EN60947-5-2 - Product standard

2. NORME DI INSTALLAZIONE

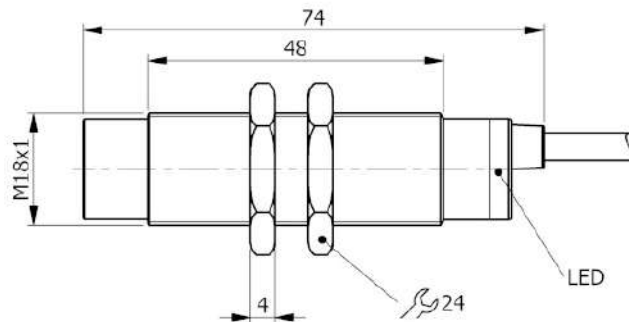
WIRING DIAGRAM



INSTRUCTIONS FOR CORRECT INSTALLATION



Part number: **I18000084** Model: **SI18-CE8 NPN NO+NC**



Dimension in mm

1. TECHNICAL CHARACTERISTICS



Electrical data		
Power supply type:		Direct current
Working voltage:	[V]	10 ÷ 30
Current consumption:	[mA]	< 15 mA @ 24Vdc
Protection class:		III
Reverse polarity protection:		Presente
Outputs		
Electrical design:		NPN
Function:		NO+NC
Max voltage drop:	[V]	< 1.8
Max output current:	[mA]	200
Max switching frequency:	[Hz]	1000
Short circuit protection:		Present
Overload protection:		Present
Detection zone		
Switching distance-Sn:	[mm]	8
Real sensing distance-Sr:	[mm]	8 ±10%
Operative distance-So:	[mm]	0 ÷ 6.48
Accuracy and Deviations		
Correction factor:		Stainless steel: 0.9 - Brass: 0.5 - Aluminium: 0.4 - Copper: 0.4
Hysteresis:	[%Sr]	< 10
Switching point drift:	[%Sr]	-10 ÷ +10
Repeatability:	[%Sn]	< 3
Environmental conditions		
Temperature limits:	[°C]	-25 ÷ +70
IP rating:		IP65-IP66-IP67

Display and control elements

Display: Output switching status - 1 x LED: Yellow

Mechanical data

Housing:	Threded type
Thread designation:	M18x1
Dimensions: [mm]	M18x1 - L=74.5
Materials:	Housing: Nickel-plated brass - Sensing area: POM red - Lock nuts: Nickel-plated brass
Mounting:	Not embeddable
Weigth: [g]	130

Electrical connection

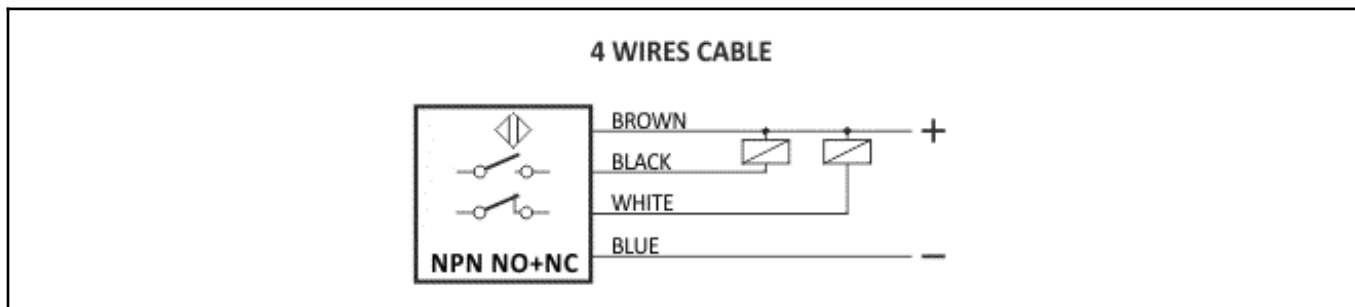
Cable: 2 m - PVC/PVC - 4 x 0.25 mm²

Compliance to Standards / Directives

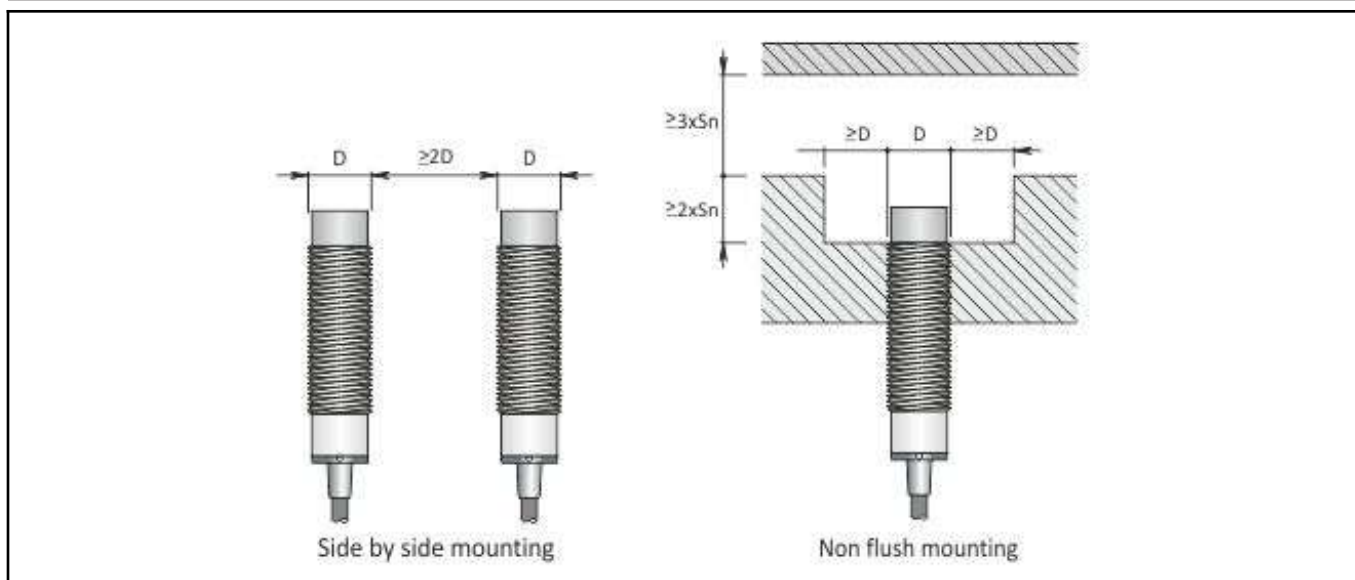
Directives compliance:	2014/30/EU -Electromagnetic compatibility directive (EMC)
Standards compliance:	EN60947-5-2 - Product standard

2. NORME DI INSTALLAZIONE

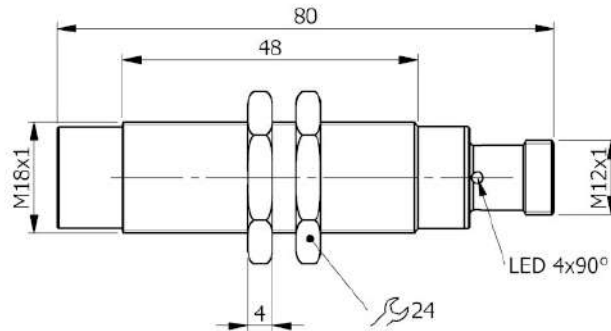
WIRING DIAGRAM



INSTRUCTIONS FOR CORRECT INSTALLATION



Part number: **I18000085** Model: **SI18-CE8 NPN NO+NC H**



Dimension in mm

1. TECHNICAL CHARACTERISTICS



Electrical data

Power supply type:		Direct current
Working voltage:	[V]	10 ÷ 30
Current consumption:	[mA]	< 15 mA @ 24Vdc
Protection class:		III
Reverse polarity protection:		Presente

Outputs

Electrical design:		NPN
Function:		NO+NC
Max voltage drop:	[V]	< 1.8
Max output current:	[mA]	200
Max switching frequency:	[Hz]	1000
Short circuit protection:		Present
Overload protection:		Present

Detection zone

Switching distance-Sn:	[mm]	8
Real sensing distance-Sr:	[mm]	8 ±10%
Operative distance-So:	[mm]	0 ÷ 6.48

Accuracy and Deviations

Correction factor:		Stainless steel: 0.9 - Brass: 0.5 - Aluminium: 0.4 - Copper: 0.4
Hysteresis:	[%Sr]	< 10
Switching point drift:	[%Sr]	-10 ÷ +10
Repeatability:	[%Sn]	< 3

Environmental conditions

Temperature limits:	[°C]	-25 ÷ +70
IP rating:		IP65-IP66-IP67 (depending on connector)

Display and control elements

Display:	Output switching status - 4 x 90° LED: Yellow
----------	---

Mechanical data

Housing:	Threded type
Thread designation:	M18x1
Dimensions: [mm]	M18x1 - L=80.5
Materials:	Housing: Nickel-plated brass - Sensing area: POM red - Lock nuts: Nickel-plated brass
Mounting:	Not embeddable
Weighth: [g]	70

Electrical connection

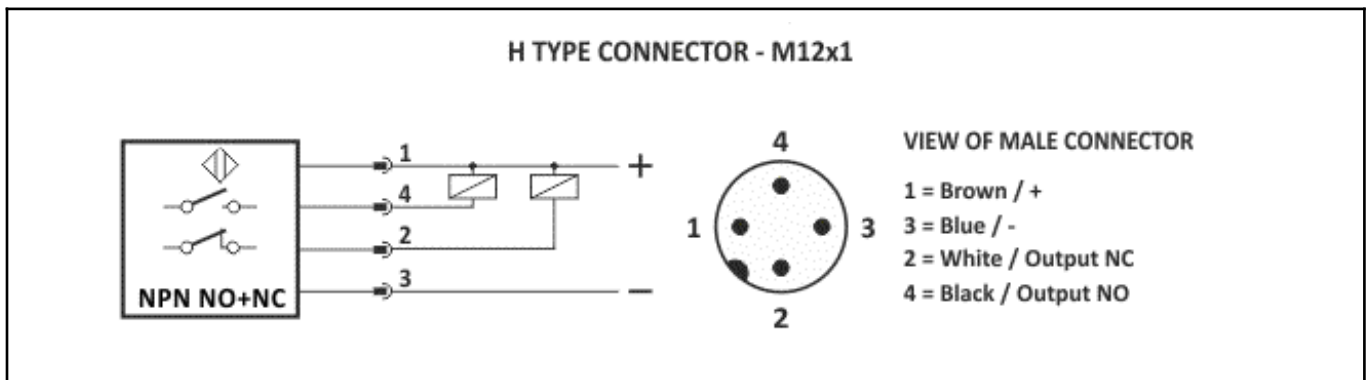
Connector:	H type - M12X1 - Gold plated contacts
------------	---------------------------------------

Compliance to Standards / Directives

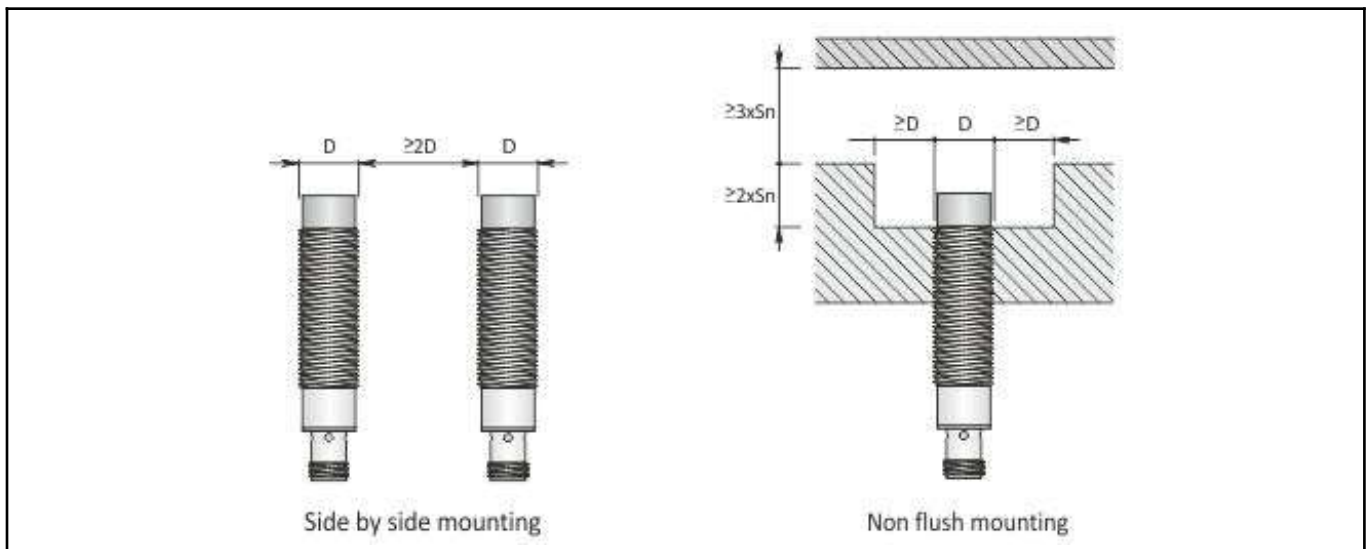
Directives compliance:	2014/30/EU -Electromagnetic compatibility directive (EMC)
Standards compliance:	EN60947-5-2 - Product standard

2. NORME DI INSTALLAZIONE

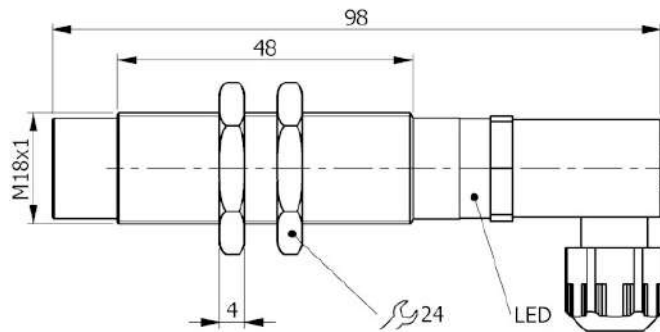
WIRING DIAGRAM



INSTRUCTIONS FOR CORRECT INSTALLATION



Part number: **I18000087** Model: **SI18-CE8 NPN NO+NC K**



Dimension in mm

1. TECHNICAL CHARACTERISTICS



Electrical data

Power supply type:		Direct current
Working voltage:	[V]	10 ÷ 30
Current consumption:	[mA]	< 15 mA @ 24Vdc
Protection class:		III
Reverse polarity protection:		Presente

Outputs

Electrical design:		NPN
Function:		NO+NC
Max voltage drop:	[V]	< 1.8
Max output current:	[mA]	200
Max switching frequency:	[Hz]	1000
Short circuit protection:		Present
Overload protection:		Present

Detection zone

Switching distance-Sn:	[mm]	8
Real sensing distance-Sr:	[mm]	8 ±10%
Operative distance-So:	[mm]	0 ÷ 6.48

Accuracy and Deviations

Correction factor:		Stainless steel: 0.9 - Brass: 0.5 - Aluminium: 0.4 - Copper: 0.4
Hysteresis:	[%Sr]	< 10
Switching point drift:	[%Sr]	-10 ÷ +10
Repeatability:	[%Sn]	< 3

Environmental conditions

Temperature limits:	[°C]	-25 ÷ +70
IP rating:		IP65

Display and control elements

Display:	Output switching status - 1 x LED: Yellow
----------	---

Mechanical data

Housing:	Threded type
Thread designation:	M18x1
Dimensions: [mm]	M18x1 - L=70.5
Materials:	Housing: Nickel-plated brass - Sensing area: POM red - Lock nuts: Nickel-plated brass
Mounting:	Not embeddable
Weighth: [g]	80

Electrical connection

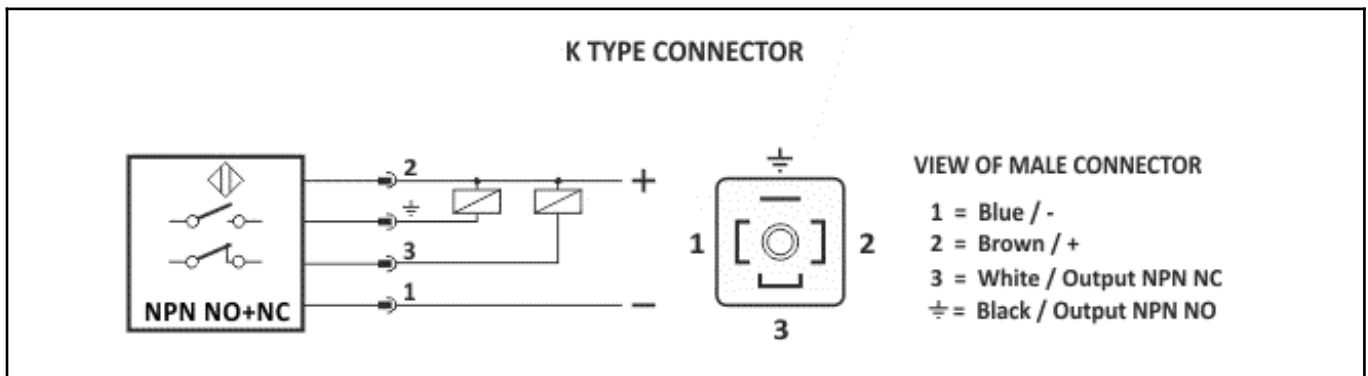
Connector:	K Type - 4 poles - EN 17301-803
------------	---------------------------------

Compliance to Standards / Directives

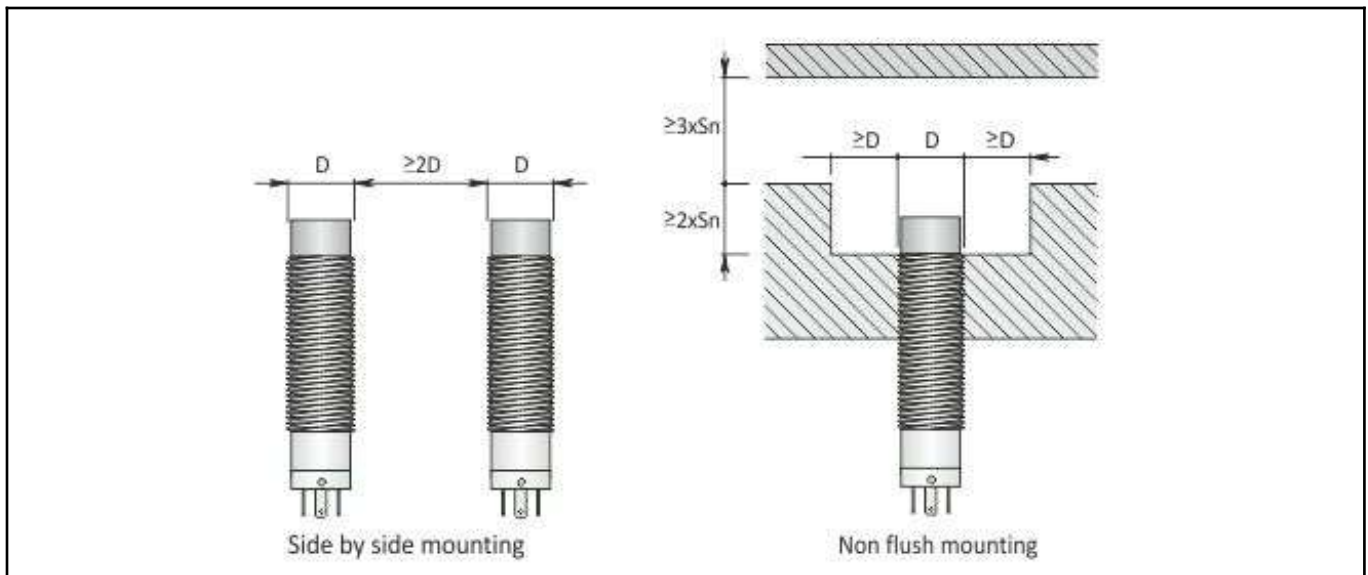
Directives compliance:	2014/30/EU -Electromagnetic compatibility directive (EMC)
Standards compliance:	EN60947-5-2 - Product standard

2. NORME DI INSTALLAZIONE

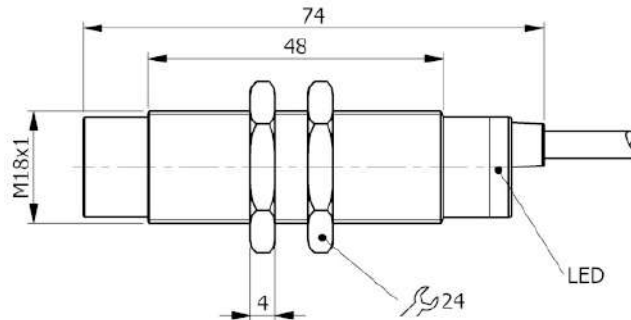
WIRING DIAGRAM



INSTRUCTIONS FOR CORRECT INSTALLATION



Part number: **I18000231** Model: **SI18-CE8 NPN NO+NC LC10**



Dimension in mm

1. TECHNICAL CHARACTERISTICS



Electrical data

Power supply type:		Direct current
Working voltage:	[V]	10 ÷ 30
Current consumption:	[mA]	< 15 mA @ 24Vdc
Protection class:		III
Reverse polarity protection:		Presente

Outputs

Electrical design:		NPN
Function:		NO+NC
Max voltage drop:	[V]	< 1.8
Max output current:	[mA]	200
Max switching frequency:	[Hz]	1000
Short circuit protection:		Present
Overload protection:		Present

Detection zone

Switching distance-Sn:	[mm]	8
Real sensing distance-Sr:	[mm]	8 ±10%
Operative distance-So:	[mm]	0 ÷ 6.48

Accuracy and Deviations

Correction factor:		Stainless steel: 0.9 - Brass: 0.5 - Aluminium: 0.4 - Copper: 0.4
Hysteresis:	[%Sr]	< 10
Switching point drift:	[%Sr]	-10 ÷ +10
Repeatability:	[%Sn]	< 3

Environmental conditions

Temperature limits:	[°C]	-25 ÷ +70
IP rating:		IP65-IP66-IP67

Display and control elements

Display: Output switching status - 1 x LED: Yellow

Mechanical data

Housing:	Threded type
Thread designation:	M18x1
Dimensions: [mm]	M18x1 - L=74.5
Materials:	Housing: Nickel-plated brass - Sensing area: POM red - Lock nuts: Nickel-plated brass
Mounting:	Not embeddable
Weigth: [g]	370

Electrical connection

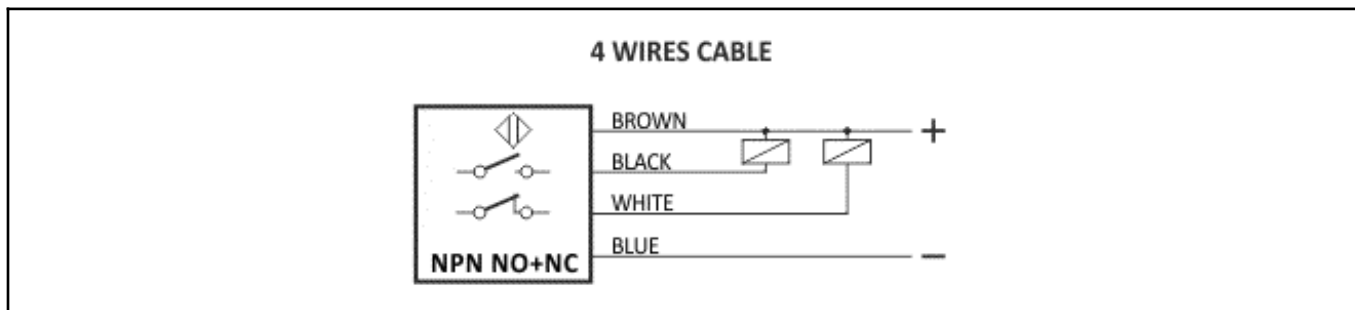
Cable: 10 m - PVC/PVC - 4 x 0.25 mm²

Compliance to Standards / Directives

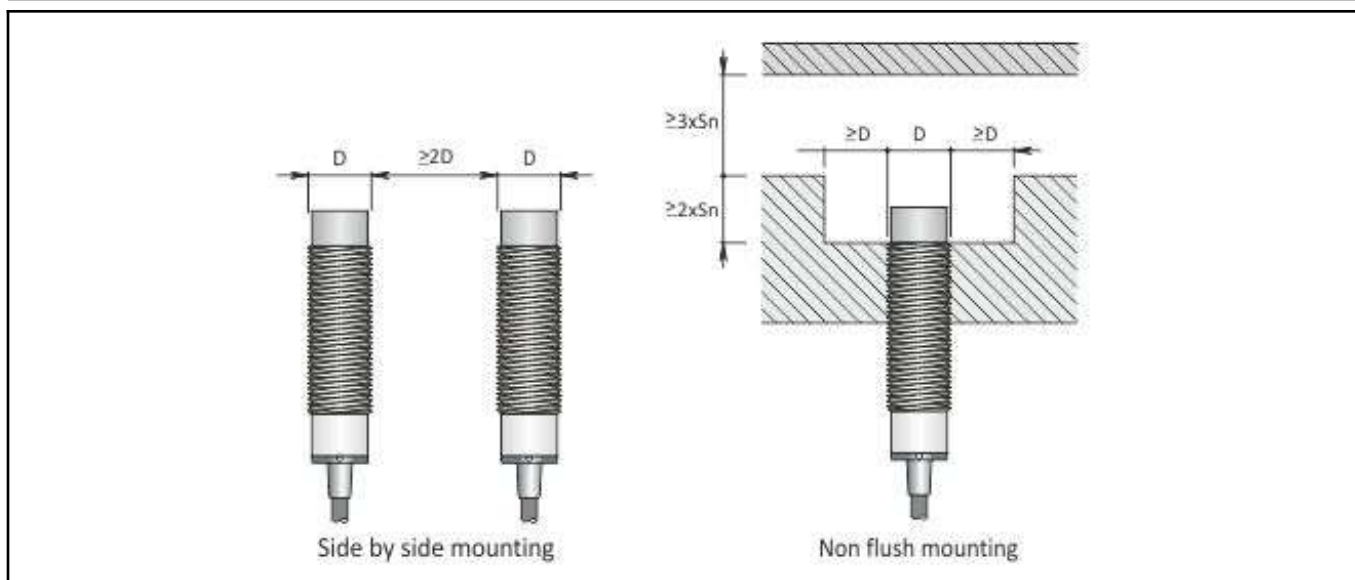
Directives compliance:	2014/30/EU -Electromagnetic compatibility directive (EMC)
Standards compliance:	EN60947-5-2 - Product standard

2. NORME DI INSTALLAZIONE

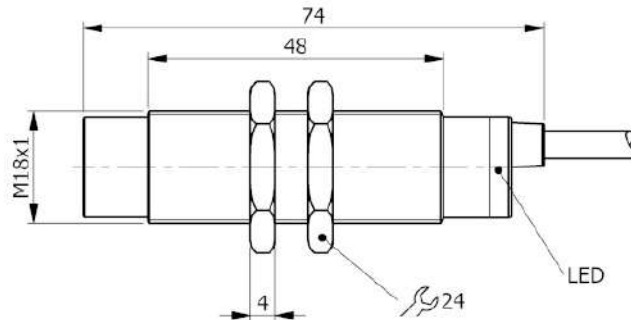
WIRING DIAGRAM



INSTRUCTIONS FOR CORRECT INSTALLATION



Part number: **I18000229** Model: **SI18-CE8 NPN NO+NC LC5**



Dimension in mm

1. TECHNICAL CHARACTERISTICS



Electrical data

Power supply type:		Direct current
Working voltage:	[V]	10 ÷ 30
Current consumption:	[mA]	< 15 mA @ 24Vdc
Protection class:		III
Reverse polarity protection:		Presente

Outputs

Electrical design:		NPN
Function:		NO+NC
Max voltage drop:	[V]	< 1.8
Max output current:	[mA]	200
Max switching frequency:	[Hz]	1000
Short circuit protection:		Present
Overload protection:		Present

Detection zone

Switching distance-Sn:	[mm]	8
Real sensing distance-Sr:	[mm]	8 ±10%
Operative distance-So:	[mm]	0 ÷ 6.48

Accuracy and Deviations

Correction factor:		Stainless steel: 0.9 - Brass: 0.5 - Aluminium: 0.4 - Copper: 0.4
Hysteresis:	[%Sr]	< 10
Switching point drift:	[%Sr]	-10 ÷ +10
Repeatability:	[%Sn]	< 3

Environmental conditions

Temperature limits:	[°C]	-25 ÷ +70
IP rating:		IP65-IP66-IP67

Display and control elements

Display:	Output switching status - 1 x LED: Yellow
----------	---

Mechanical data

Housing:	Threded type
Thread designation:	M18x1
Dimensions: [mm]	M18x1 - L=74.5
Materials:	Housing: Nickel-plated brass - Sensing area: POM red - Lock nuts: Nickel-plated brass
Mounting:	Not embeddable
Weigth: [g]	220

Electrical connection

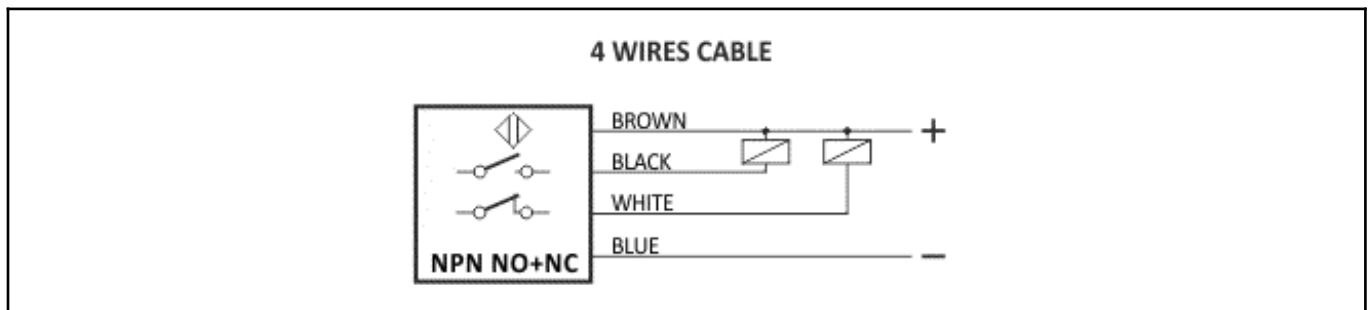
Cable:	5 m - PVC/PVC - 4 x 0.25 mm ²
--------	--

Compliance to Standards / Directives

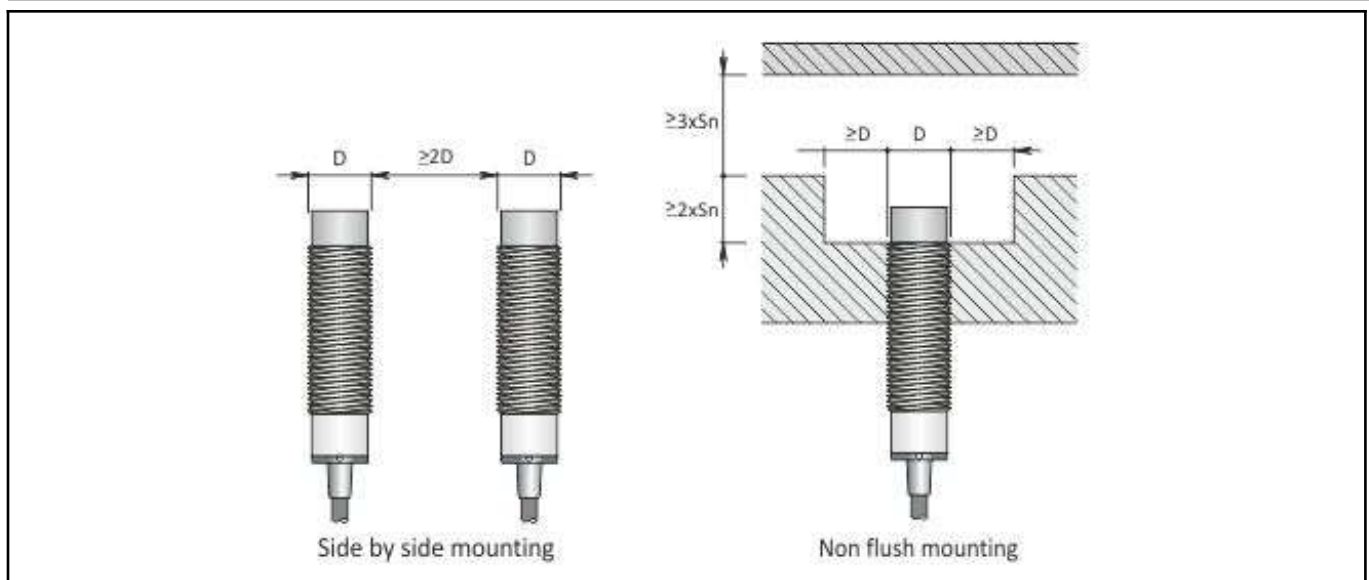
Directives compliance:	2014/30/EU -Electromagnetic compatibility directive (EMC)
Standards compliance:	EN60947-5-2 - Product standard

2. NORME DI INSTALLAZIONE

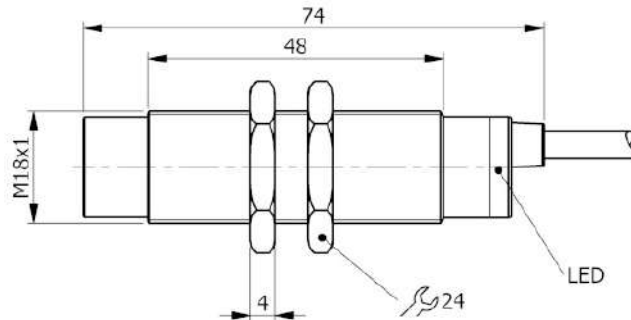
WIRING DIAGRAM



INSTRUCTIONS FOR CORRECT INSTALLATION



Part number: **I18000070** Model: **SI18-CE8 NPN NC**



Dimension in mm

1. TECHNICAL CHARACTERISTICS



Electrical data

Power supply type:		Direct current
Working voltage:	[V]	10 ÷ 30
Current consumption:	[mA]	< 15 mA @ 24Vdc
Protection class:		III
Reverse polarity protection:		Presente

Outputs

Electrical design:		NPN
Function:		NC
Max voltage drop:	[V]	< 1.8
Max output current:	[mA]	200
Max switching frequency:	[Hz]	1000
Short circuit protection:		Present
Overload protection:		Present

Detection zone

Switching distance-Sn:	[mm]	8
Real sensing distance-Sr:	[mm]	8 ±10%
Operative distance-So:	[mm]	0 ÷ 6.48

Accuracy and Deviations

Correction factor:		Stainless steel: 0.9 - Brass: 0.5 - Aluminium: 0.4 - Copper: 0.4
Hysteresis:	[%Sr]	< 10
Switching point drift:	[%Sr]	-10 ÷ +10
Repeatability:	[%Sn]	< 3

Environmental conditions

Temperature limits:	[°C]	-25 ÷ +85
IP rating:		IP65-IP66-IP67

Display and control elements

Display: Output switching status - 1 x LED: Yellow

Mechanical data

Housing:	Threded type
Thread designation:	M18x1
Dimensions: [mm]	M18x1 - L=74.5
Materials:	Housing: Nickel-plated brass - Sensing area: POM red - Lock nuts: Nickel-plated brass
Mounting:	Not embeddable
Weighth: [g]	130

Electrical connection

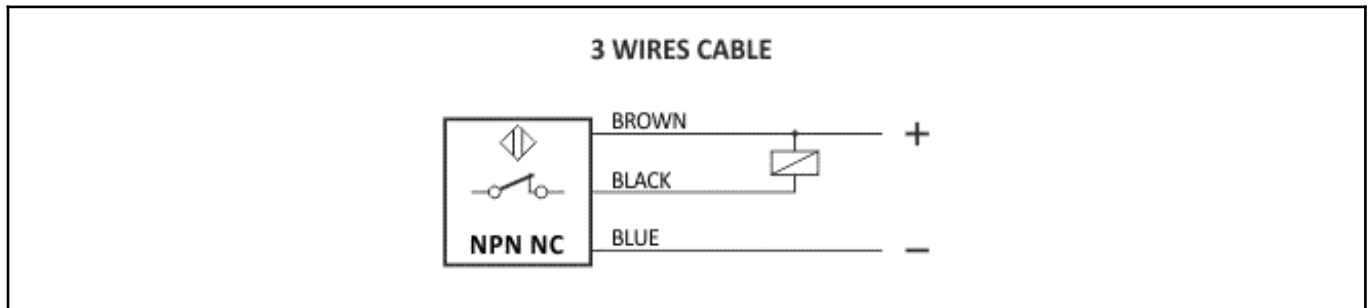
Cable: 2 m - PVC/PVC - 3 x 0.35 mm²

Compliance to Standards / Directives

Directives compliance:	2014/30/EU -Electromagnetic compatibility directive (EMC)
Standards compliance:	EN60947-5-2 - Product standard

2. NORME DI INSTALLAZIONE

WIRING DIAGRAM



INSTRUCTIONS FOR CORRECT INSTALLATION

